

[www.seger.com](http://www.seger.com)



Sound of Safety



# SEGER

Electromagnetic Horns  
Electronic Horns  
Air Horns

## Sound of Safety



Founded in 1981 in Bursa, SEGER has been serving the automotive industry successfully with more than 30 years of experience as well as its proven high quality. SEGER, who has become one of the well-known horn manufacturers worldwide, offers high quality horns produced with its advanced process ability.

In 2004, SEGER established its 2nd production facility in China in order to meet the exceeding demands to its products and increased its annual production capacity to over 15 million pieces. That way, the company aims to provide the fastest and the best service to its customers spreaded across 5 continents, with the best possible commercial terms and conditions.

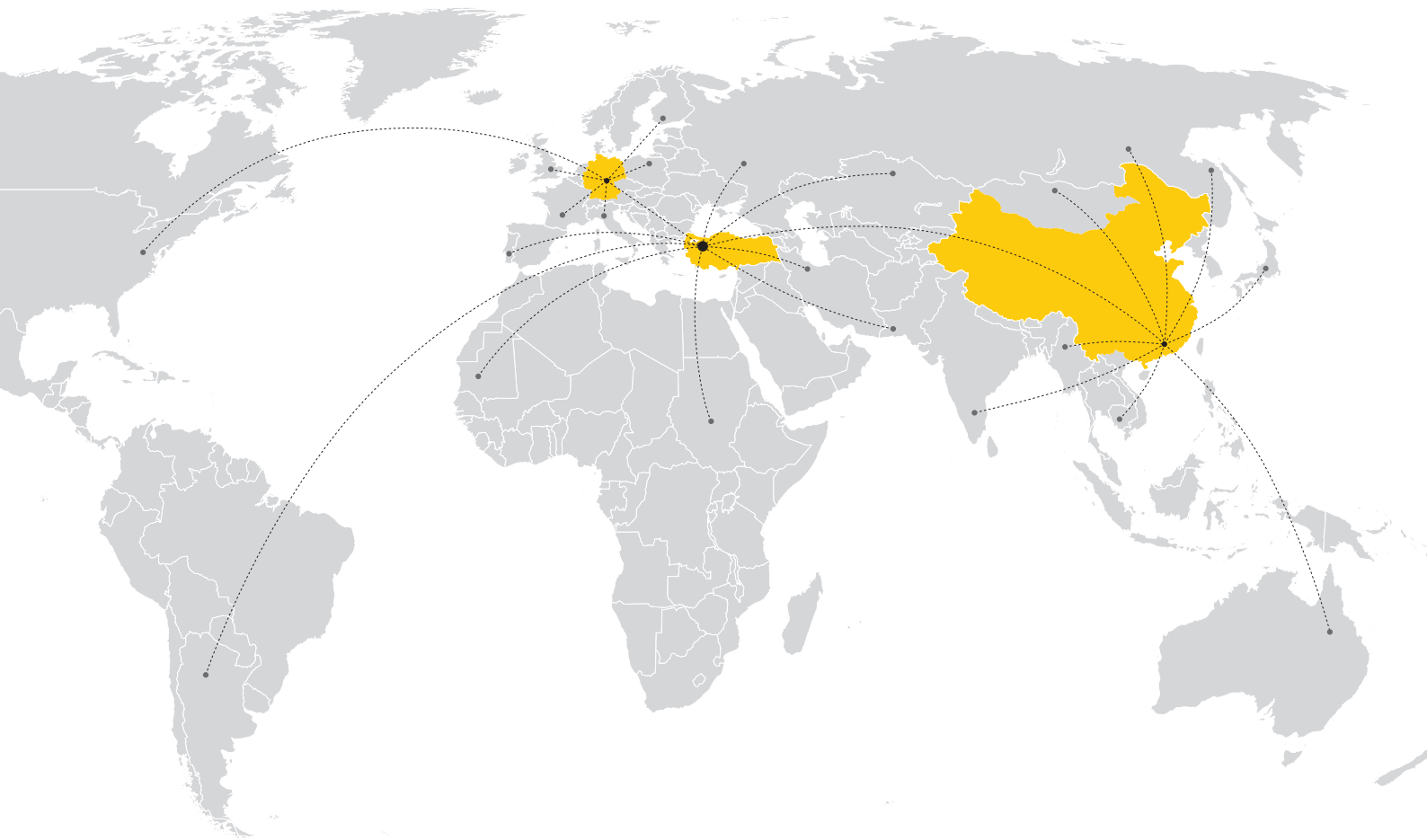


The product quality, customer oriented service mentality and continuously improving production technology have placed SEGER among the most notable global horn manufacturers. SEGER takes the demands and complaints of its customers very seriously, accurately analyzes the expectations changing based on customer and market requirements and puts its best efforts to find the most effective solutions against customer complaints. SEGER continuously increases R&D investments towards robust products and designs and high process ability in order to sustain the achieved level. Continuously increasing performance of SEGER is being monitored by the OEM companies and the share of OEM customers including the respectable automobile manufacturers in the world which has exceeded 50% of total sales.

The horn is considered as a security device due to being a sound warning device on vehicle and this category raises the expected performance and durability targets. SEGER horns meet these performance and durability targets raising day by day in every kind of climate with perfection and make a difference against its competitors.

SEGER will continue to march on its path surely with the **“Sound of Safety”** motto and sustain its growth with the **“quality horn”** concept worldwide.





## Our Vision

To become number one manufacturer on the production of horns in automotive sector and become a presence in the markets that have not yet been penetrated.

## Our Mission

To increase our market share without compromising the product principles of best quality with convenient prices by improving team work based on the philosophy of continuous improvement in every field.





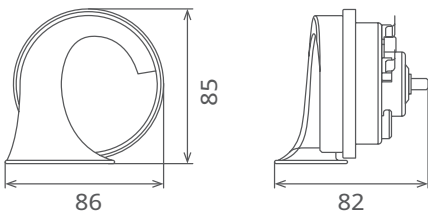
ELECTROMAGNETIC  
HORNS



## Electromagnetic Horns

# 65B

65B is an electromagnetic shell type horn which is smaller in dimensions and weight compared to our 60B series. It gives a strong sound with smaller and lighter design. Wide application on many type of vehicles. The 65B horn can be mounted as only High tone or only Low tone, or as a set of both to achieve a well balanced and powerful sound. Available with 1 or 2 terminals, connectors of different types may be requested. Universal mounting bracket included.



| Type                   | Tone     | Voltage | Frequency                  | Ampere | Sound Level  | Type Approval    |
|------------------------|----------|---------|----------------------------|--------|--------------|------------------|
| 65BI1200               | High     | 12V     | 500 Hz ± 20                | 6A     | 105/118dB(A) | ECE(E1), EEC(e1) |
| 65BK1200               | Low      | 12V     | 400 Hz ± 20                | 6A     | 105/118dB(A) | ECE(E1), EEC(e1) |
| 65BO1200               | High&Low | 12V     | 500 Hz ± 20<br>400 Hz ± 20 | 6A+6A  | 105/118dB(A) | ECE(E1), EEC(e1) |
| 65BT1200<br>with relay | High&Low | 12V     | 500 Hz ± 20<br>400 Hz ± 20 | 6A+6A  | 105/118dB(A) | ECE(E1), EEC(e1) |

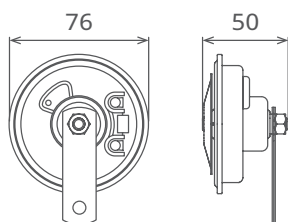




## Electromagnetic Horns

### 55B

55B is an electromagnetic disc type horn which is the smallest horn in our range. It provides a high quality sound with smaller and lighter design. Mostly used in Japanese, Korean and Asian cars, also in motorcycles. The 55B horn can be mounted as only High tone or only Low tone, or as a set of both to achieve a well balanced and powerful sound. Available with 1 or 2 terminals, connectors of different types may be requested. Universal mounting bracket included.



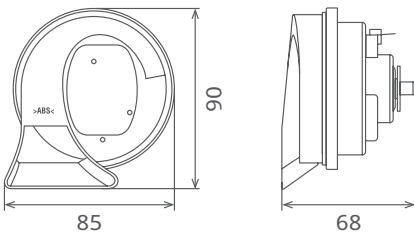
| Type     | Tone       | Voltage | Frequency                  | Ampere    | Sound Level  | Type Approval    |
|----------|------------|---------|----------------------------|-----------|--------------|------------------|
| 55B11200 | High       | 12V     | 420 Hz ± 20                | 3,5A      | 105/118dB(A) | ECE(E1), EEC(e1) |
| 55BK1200 | Low        | 12V     | 350 Hz ± 20                | 3,5A      | 105/118dB(A) | ECE(E1), EEC(e1) |
| 55BO1200 | High & Low | 12V     | 420 Hz ± 20<br>350 Hz ± 20 | 3,5A+3,5A | 105/118dB(A) | ECE(E1), EEC(e1) |





## Electromagnetic Horns

# 65C



65C is an electromagnetic shell type horn which is very similar to our 65B type horn. The only difference is shape of the snail. 65C type horn gives the sound on a vertical platform because of its special shape. This special shape also obstructs the water entrance if it mounted on the vehicle in the correct direction. The

65C horn can be mounted as only High tone or only Low tone, or as a set of both to achieve a well balanced and powerful sound. Available with 1 or 2 terminals, connectors of different types may be requested. Universal mounting bracket included.

| Type                   | Tone     | Voltage | Frequency                  | Ampere | Sound Level  | Type Approval    |
|------------------------|----------|---------|----------------------------|--------|--------------|------------------|
| 65CI1200               | High     | 12V     | 500 Hz ± 20                | 6A     | 105-118dB(A) | ECE(E1), EEC(e1) |
| 65CK1200               | Low      | 12V     | 400 Hz ± 20                | 6A     | 105-118dB(A) | ECE(E1), EEC(e1) |
| 65CO1200               | High&Low | 12V     | 500 Hz ± 20<br>400 Hz ± 20 | 6A+6A  | 105-118dB(A) | ECE(E1), EEC(e1) |
| 65CT1200<br>with relay | High&Low | 12V     | 500 Hz ± 20<br>400 Hz ± 20 | 6A+6A  | 105-118dB(A) | ECE(E1), EEC(e1) |

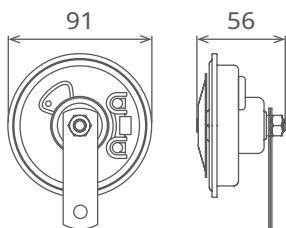




## Electromagnetic Horns

# 50F

50F is an electromagnetic disc type horn designed to work in every challenging conditions. It has the options of 6, 12, and 24 volts. This high-tech horn is designed in a way which is compatible with all type of vehicles especially trucks, buses, heavy duty machines and tractors. Like our other horns, 50F horns can be mounted as only High tone or only Low tone, or as a set of both to achieve a well balanced and powerful sound. Available with 1 or 2 terminals, connectors of different types may be requested. Universal mounting bracket included.

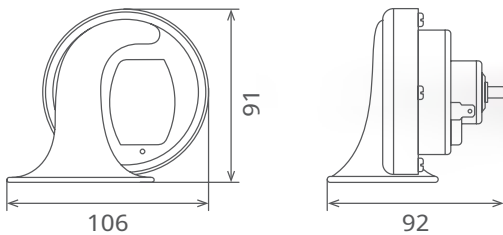


| Type     | Tone     | Voltage | Frequency                  | Ampere | Sound Level  | Type Approval    |
|----------|----------|---------|----------------------------|--------|--------------|------------------|
| 50FK0600 | Low      | 6V      | 335 Hz ± 20                | 5A     | 105-118dB(A) | ECE(E1), EEC(e1) |
| 50FI1200 | High     | 12V     | 435 Hz ± 20                | 5A     | 105-118dB(A) | ECE(E1), EEC(e1) |
| 50FK1200 | Low      | 12V     | 335 Hz ± 20                | 5A     | 105-118dB(A) | ECE(E1), EEC(e1) |
| 50FO1200 | High&Low | 12V     | 435 Hz ± 20<br>335 Hz ± 20 | 5A+5A  | 105-118dB(A) | ECE(E1), EEC(e1) |
| 50FI2400 | High     | 24V     | 435 Hz ± 20                | 3A     | 105-118dB(A) | ECE(E1), EEC(e1) |
| 50FK2400 | Low      | 24V     | 335 Hz ± 20                | 3A     | 105-118dB(A) | ECE(E1), EEC(e1) |
| 50FO2400 | High&Low | 24V     | 435 Hz ± 20<br>335 Hz ± 20 | 3A+3A  | 105-118dB(A) | ECE(E1), EEC(e1) |

## Electromagnetic Horns

# 60B

60B is an electromagnetic shell type horn with a particularly powerful sound that makes it mostly preferred by the people. Its application includes a wide range of vehicles, especially the passenger cars. The 60B horn can be mounted as only High tone or only Low tone, or as a set of both to achieve a well balanced and powerful sound. Available with 1 or 2 terminals, connectors of different types may be requested. Universal mounting bracket included.

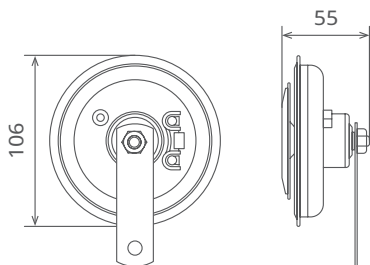


| Type                   | Tone     | Voltage | Frequency                  | Ampere | Sound Level  | Type Approval    |
|------------------------|----------|---------|----------------------------|--------|--------------|------------------|
| 60BI1200               | High     | 12V     | 510 Hz ± 20                | 6A     | 105-118dB(A) | ECE(E1), EEC(e1) |
| 60BK1200               | Low      | 12V     | 410 Hz ± 20                | 6A     | 105-118dB(A) | ECE(E1), EEC(e1) |
| 60BO1200               | High&Low | 12V     | 510 Hz ± 20<br>410 Hz ± 20 | 6A+6A  | 105-118dB(A) | ECE(E1), EEC(e1) |
| 60BT1200<br>with relay | High&Low | 12V     | 510 Hz ± 20<br>410 Hz ± 20 | 6A+6A  | 105-118dB(A) | ECE(E1), EEC(e1) |
| 60BI2400               | High     | 24V     | 510 Hz ± 20                | 3A     | 105-118dB(A) | ECE(E1), EEC(e1) |
| 60BK2400               | Low      | 24V     | 410 Hz ± 20                | 3A     | 105-118dB(A) | ECE(E1), EEC(e1) |
| 60BO2400               | High&Low | 24V     | 510 Hz ± 20<br>410 Hz ± 20 | 3A+3A  | 105-118dB(A) | ECE(E1), EEC(e1) |
| 60BT2400<br>with relay | High&Low | 24V     | 510 Hz ± 20<br>410 Hz ± 20 | 3A+3A  | 105-118dB(A) | ECE(E1), EEC(e1) |



## Electromagnetic Horns

# 45C



45C is an electromagnetic disc type horn which is the largest horn in our range. The compact design combined with a high flexibility of use makes this horn the best solution for commercial, agricultural and military vehicles. The 45C horn can be mounted

as only High tone or only Low tone, or as a set of both to achieve a well balanced and powerful sound. Available with 1 or 2 terminals, connectors of different types may be requested. Universal mounting bracket included.

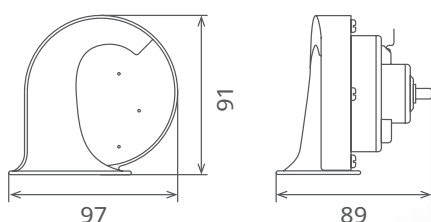
| Type     | Tone     | Voltage | Frequency                  | Ampere | Sound Level  | Type Approval    |
|----------|----------|---------|----------------------------|--------|--------------|------------------|
| 45C1200  | High     | 12V     | 415 Hz ± 20                | 5A     | 105-118dB(A) | ECE(E1), EEC(e1) |
| 45CK1200 | Low      | 12V     | 315 Hz ± 20                | 5A     | 105-118dB(A) | ECE(E1), EEC(e1) |
| 45CO1200 | High&Low | 12V     | 415 Hz ± 20<br>315 Hz ± 20 | 5A+5A  | 105-118dB(A) | ECE(E1), EEC(e1) |
| 45C12400 | High     | 24V     | 415 Hz ± 20                | 3A     | 105-118dB(A) | ECE(E1), EEC(e1) |
| 45CK2400 | Low      | 24V     | 315 Hz ± 20                | 3A     | 105-118dB(A) | ECE(E1), EEC(e1) |
| 45CO2400 | High&Low | 24V     | 415 Hz ± 20<br>315 Hz ± 20 | 3A+3A  | 105-118dB(A) | ECE(E1), EEC(e1) |





## Electromagnetic Horns

# 60E



60E is an electromagnetic shell type horn which is very similar to our 60B type horn. The only difference is shape of the snail with a rectangular outlet. Its application includes a wide range of vehicles, especially the passenger cars. The 60E horn can be

mounted as only High tone or only Low tone, or as a set of both to achieve a well balanced and powerful sound. Available with 1 or 2 terminals, connectors of different types may be requested. Universal mounting bracket included.

| Type                   | Tone     | Voltage | Frequency                  | Ampere | Sound Level  | Type Approval    |
|------------------------|----------|---------|----------------------------|--------|--------------|------------------|
| 60E1200                | High     | 12V     | 510 Hz ± 20                | 6A     | 105-118dB(A) | ECE(E1), EEC(e1) |
| 60EK1200               | Low      | 12V     | 410 Hz ± 20                | 6A     | 105-118dB(A) | ECE(E1), EEC(e1) |
| 60E01200               | High&Low | 12V     | 510 Hz ± 20<br>410 Hz ± 20 | 6A+6A  | 105-118dB(A) | ECE(E1), EEC(e1) |
| 60ET1200<br>with relay | High&Low | 12V     | 510 Hz ± 20<br>410 Hz ± 20 | 6A+6A  | 105-118dB(A) | ECE(E1), EEC(e1) |
| 60E12400               | High     | 24V     | 510 Hz ± 20                | 3A     | 105-118dB(A) | ECE(E1), EEC(e1) |
| 60EK2400               | Low      | 24V     | 410 Hz ± 20                | 3A     | 105-118dB(A) | ECE(E1), EEC(e1) |
| 60E02400               | High&Low | 24V     | 510 Hz ± 20<br>410 Hz ± 20 | 3A+3A  | 105-118dB(A) | ECE(E1), EEC(e1) |
| 60ET2400<br>with relay | High&Low | 24V     | 510 Hz ± 20<br>410 Hz ± 20 | 3A+3A  | 105-118dB(A) | ECE(E1), EEC(e1) |



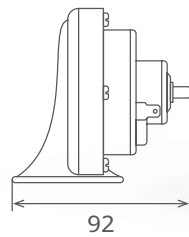
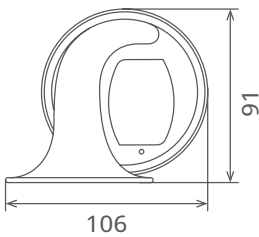
ELECTRONIC  
HORNS





## Electronic Horns

# 62E

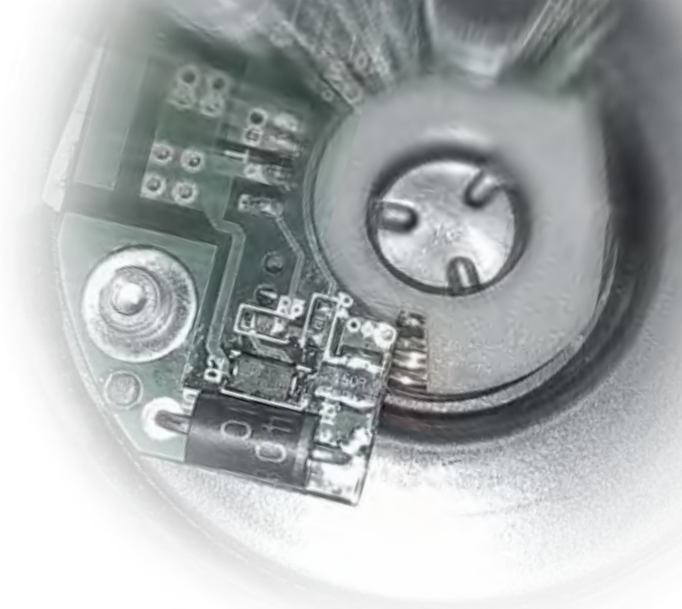


62E is an electronic shell type horn. The shape and size is exactly the same with our 60B horn but the working principle is totally different. Instead of some mechanical parts there is an electronic card inside. The durability of the horn is much more longer than electromagnetic

horns. Also the sound is very powerful. Especially used in luxury cars. The 62E horn can be mounted as only High tone or only Low tone, or as a set of both to achieve a well balanced and powerful sound. Universal mounting bracket included.

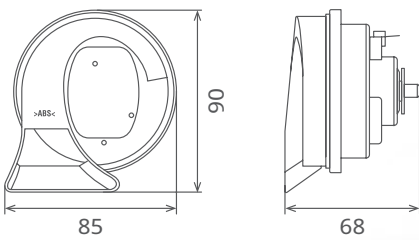
| Type                   | Tone     | Voltage | Frequency                  | Ampere | Sound Level  | Type Approval    |
|------------------------|----------|---------|----------------------------|--------|--------------|------------------|
| 62E1200                | High     | 12V     | 510 Hz ± 20                | 6A     | 105-118dB(A) | ECE(E1), EEC(e1) |
| 62EK1200               | Low      | 12V     | 410 Hz ± 20                | 6A     | 105-118dB(A) | ECE(E1), EEC(e1) |
| 62EO1200               | High&Low | 12V     | 510 Hz ± 20<br>410 Hz ± 20 | 6A+6A  | 105-118dB(A) | ECE(E1), EEC(e1) |
| 62ET1200<br>with relay | High&Low | 12V     | 510 Hz ± 20<br>410 Hz ± 20 | 6A+6A  | 105-118dB(A) | ECE(E1), EEC(e1) |





## Electronic Horns

# 66E



66E is an electronic shell type horn. The shape and size is exactly the same with our 65C horn but the working principle is totally different. Instead of some mechanical parts there is an electronic card inside. The durability of the horn is much more longer than electromagnetic

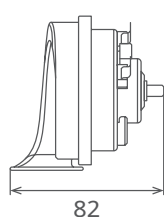
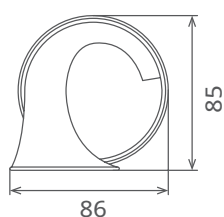
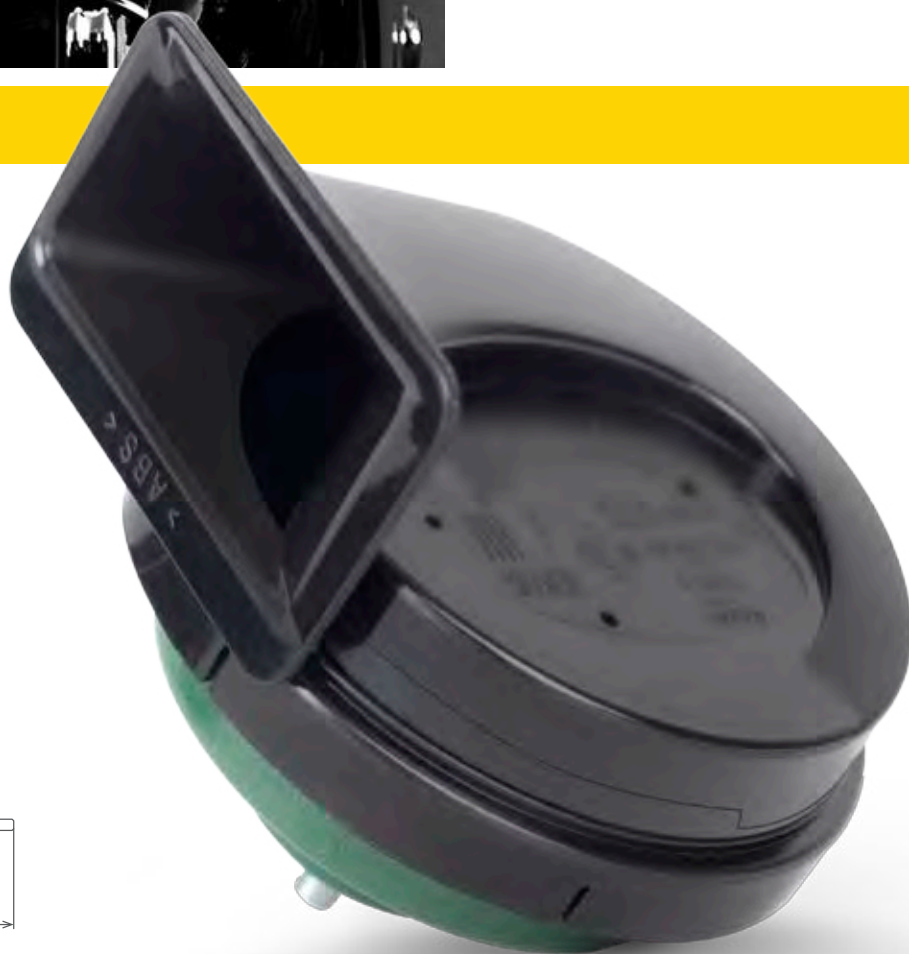
horns. Also the sound is very powerful. Especially used in luxury cars. The 66E horn can be mounted as only High tone or only Low tone, or as a set of both to achieve a well balanced and powerful sound. Universal mounting bracket included.

| Type                   | Tone     | Voltage | Frequency                  | Ampere | Sound Level  | Type Approval    |
|------------------------|----------|---------|----------------------------|--------|--------------|------------------|
| 66EI1200               | High     | 12V     | 500 Hz ± 20                | 6A     | 105-118dB(A) | ECE(E1), EEC(e1) |
| 66EK1200               | Low      | 12V     | 400 Hz ± 20                | 6A     | 105-118dB(A) | ECE(E1), EEC(e1) |
| 66EO1200               | High&Low | 12V     | 500 Hz ± 20<br>400 Hz ± 20 | 6A+6A  | 105-118dB(A) | ECE(E1), EEC(e1) |
| 66ET1200<br>with relay | High&Low | 12V     | 500 Hz ± 20<br>400 Hz ± 20 | 6A+6A  | 105-118dB(A) | ECE(E1), EEC(e1) |



## Electronic Horns

# 67E



67E is an electronic shell type horn. The shape and size is exactly the same with our 65B horn but the working principle is totally different. Instead of some mechanical parts there is an electronic card inside. The durability of the horn is much more longer than electromagnetic

horns. Also the sound is very powerful. Especially used in luxury cars. The 67E horn can be mounted as only High tone or only Low tone, or as a set of both to achieve a well balanced and powerful sound. Universal mounting bracket included.

| Type                   | Tone     | Voltage | Frequency                  | Ampere | Sound Level  | Type Approval    |
|------------------------|----------|---------|----------------------------|--------|--------------|------------------|
| 67E1200                | High     | 12V     | 500 Hz ± 20                | 6A     | 105/118dB(A) | ECE(E1), EEC(e1) |
| 67EK1200               | Low      | 12V     | 400 Hz ± 20                | 6A     | 105/118dB(A) | ECE(E1), EEC(e1) |
| 67EO1200               | High&Low | 12V     | 500 Hz ± 20<br>400 Hz ± 20 | 6A+6A  | 105/118dB(A) | ECE(E1), EEC(e1) |
| 67ET1200<br>with relay | High&Low | 12V     | 500 Hz ± 20<br>400 Hz ± 20 | 6A+6A  | 105/118dB(A) | ECE(E1), EEC(e1) |



AIR

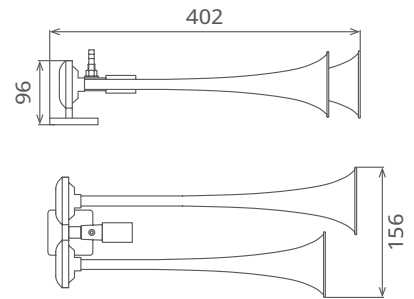
HORNS





## Air Horns

# 80AH / 82AH



Single blasting sound, two trumpets (sound typology changes according to number of trumpets). Single solenoid type, only for vehicles equipped with an air tank on board. Available as 12V or 24V. Trumpets are in aluminium, colour may be red or chrome.

| Type        | Voltage | Ampere | Sound Level | Air Source           |
|-------------|---------|--------|-------------|----------------------|
| 80-82AH1200 | 12V     | 2A     | 125dB(A)    | 6 Kg/cm <sup>2</sup> |
| 80-82AH2400 | 24V     | 1A     | 125dB(A)    | 6 Kg/cm <sup>2</sup> |

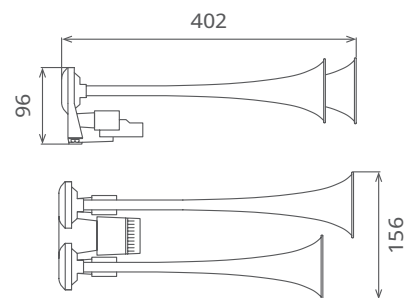


## Air Horns

# 80DH / 82DH



Outstanding alternate sound (2 sounds), two trumpets (sound typology changes according to number of trumpets). Double solenoid, with an electronic circuit also. Only for vehicles equipped with an air tank on board. Available as 12V or 24V. Trumpets are in aluminium, colour may be red or chrome.



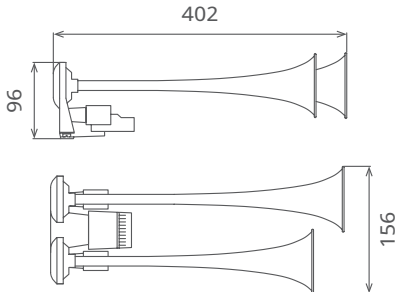
| Type        | Voltage | Ampere | Sound Level | Air Source           |
|-------------|---------|--------|-------------|----------------------|
| 80-82DH1200 | 12V     | 2A     | 125dB(A)    | 6 Kg/cm <sup>2</sup> |
| 80-82DH2400 | 24V     | 1A     | 125dB(A)    | 6 Kg/cm <sup>2</sup> |





Air Horns

80DC / 82DC



Outstanding alternate sound (2 sounds), also fast & slow option is available. Two trumpets (sound typology changes according to number of trumpets). Double solenoid, with an electronic circuit also. Only for vehicles equipped with an air tank on board. Available as 12V or 24V. Trumpets are in aluminium, colour may be red or chrome.

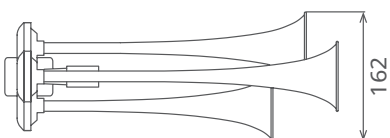
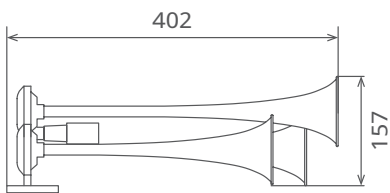
| Type        | Voltage | Ampere | Sound Level | Air Source           |
|-------------|---------|--------|-------------|----------------------|
| 80-82DC1200 | 12V     | 2A     | 125dB(A)    | 6 Kg/cm <sup>2</sup> |
| 80-82DC2400 | 24V     | 1A     | 125dB(A)    | 6 Kg/cm <sup>2</sup> |





## Air Horns

# 80BH / 82BH



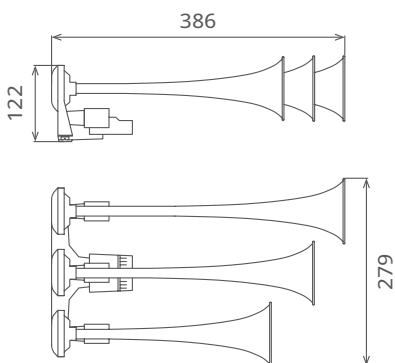
Single blasting sound, three trumpets (sound typology changes according to number of trumpets). Single solenoid type, only for vehicles equipped with an air tank on board. Available as 12V or 24V. Trumpets are in aluminium, colour may be red or chrome.

| Type        | Voltage | Ampere | Sound Level | Air Source           |
|-------------|---------|--------|-------------|----------------------|
| 80-82BH1200 | 12V     | 2A     | 125dB(A)    | 6 Kg/cm <sup>2</sup> |
| 80-82BH2400 | 24V     | 1A     | 125dB(A)    | 6 Kg/cm <sup>2</sup> |



## Air Horns

# 80EH / 82EH



Outstanding alternate sound (3 sounds), three trumpets (sound typology changes according to number of trumpets). Three solenoids, with an electronic circuit also. Only for vehicles equipped with an air tank on board. Available as 12V or 24V. Trumpets are in aluminium, colour may be red or chrome.

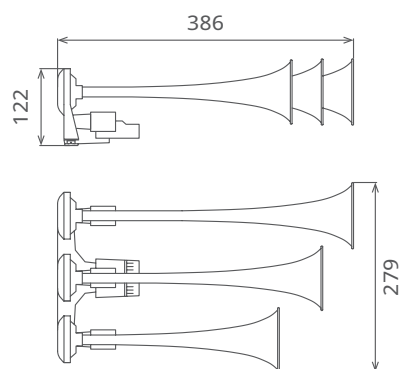
| Type        | Voltage | Ampere | Sound Level | Air Source           |
|-------------|---------|--------|-------------|----------------------|
| 80-82EH1200 | 12V     | 2A     | 125dB(A)    | 6 Kg/cm <sup>2</sup> |
| 80-82EH2400 | 24V     | 1A     | 125dB(A)    | 6 Kg/cm <sup>2</sup> |





Air Horns

## 80EC / 82EC



Outstanding alternate sound (3 sounds), also fast & slow option is available. Three trumpets (sound typology changes according to number of trumpets). Three solenoids, with an electronic circuit also. Only for vehicles equipped with an air tank on board. Available as 12V or 24V. Trumpets are in aluminium, colour may be red or chrome.

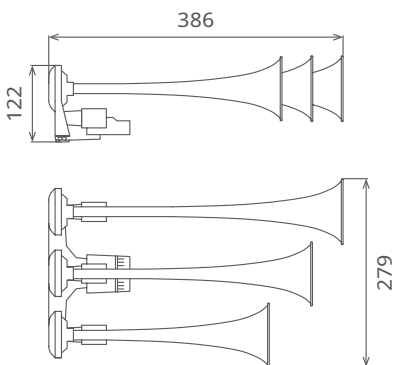
| Type        | Voltage | Ampere | Sound Level | Air Source           |
|-------------|---------|--------|-------------|----------------------|
| 80-82EC1200 | 12V     | 2A     | 125dB(A)    | 6 Kg/cm <sup>2</sup> |
| 80-82EC2400 | 24V     | 1A     | 125dB(A)    | 6 Kg/cm <sup>2</sup> |





## Air Horns

# 80EE / 82EE



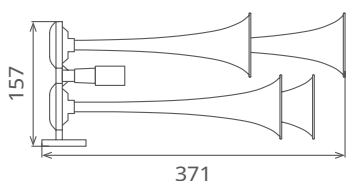
Outstanding 16 different sound combinations. Three trumpets (sound typology changes according to number of trumpets). Three solenoids, with an electronic circuit also. Only for vehicles equipped with an air tank on board. Available as 12V or 24V. Trumpets are in aluminium, colour may be red or chrome.

| Type        | Voltage | Ampere | Sound Level | Air Source           |
|-------------|---------|--------|-------------|----------------------|
| 80-82EE1200 | 12V     | 2A     | 125dB(A)    | 6 Kg/cm <sup>2</sup> |
| 80-82EE2400 | 24V     | 1A     | 125dB(A)    | 6 Kg/cm <sup>2</sup> |



## Air Horns

# 80CH



Single blasting sound, four trumpets (sound typology changes according to number of trumpets). Single solenoid type, only for vehicles equipped with an air tank on board. Available as 12V or 24V. Trumpets are in aluminium, colour may be red or chrome.

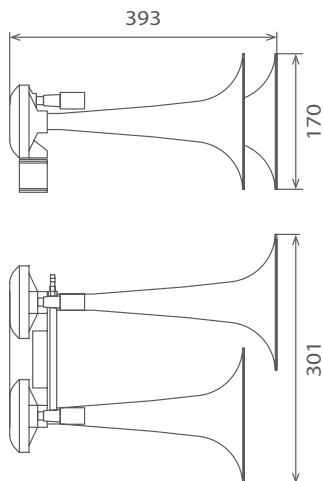
| Type     | Voltage | Ampere | Sound Level | Air Source           |
|----------|---------|--------|-------------|----------------------|
| 80CH1200 | 12V     | 2A     | 125dB(A)    | 6 Kg/cm <sup>2</sup> |
| 80CH2400 | 24V     | 1A     | 125dB(A)    | 6 Kg/cm <sup>2</sup> |





Air Horns

81DH



Also known as TGV horn with a very high level of sound. Double solenoid, with an electronic circuit also. Only for vehicles equipped with an air tank on board. Available as 12V or 24V. Trumpets are made of zamak material, colour may be black or chrome.

| Type     | Voltage | Ampere | Sound Level | Air Source           |
|----------|---------|--------|-------------|----------------------|
| 81DH1200 | 12V     | 2A     | 125B(A)     | 6 Kg/cm <sup>2</sup> |
| 81DH2400 | 24V     | 1A     | 125B(A)     | 6 Kg/cm <sup>2</sup> |



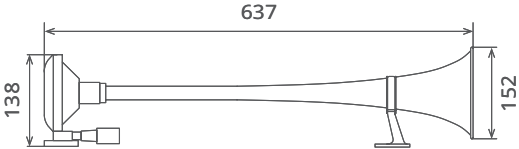
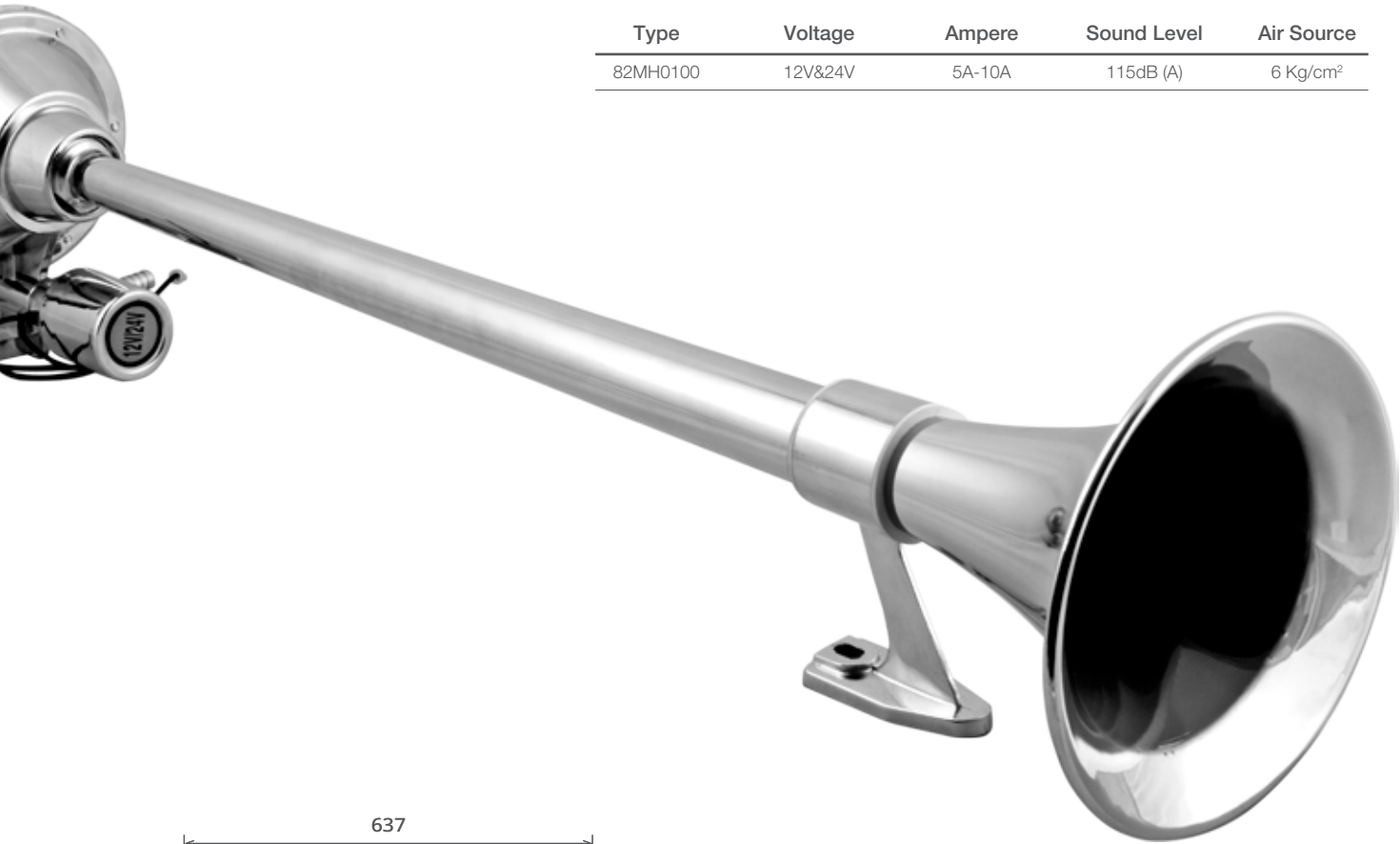


# Air Horns

## 82MH

Marine horn with single pipe chromium plated, 570mm pipe length. Single very powerful sound. Single solenoid available with both 12V/24V at the same time. Only for vehicles equipped with an air tank on board such as boats, vessels and heavy duty vehicles.

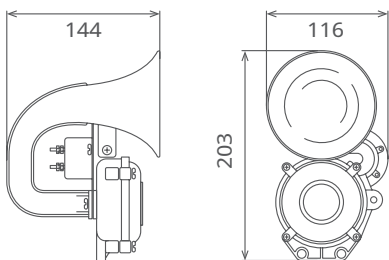
| Type     | Voltage | Ampere | Sound Level | Air Source           |
|----------|---------|--------|-------------|----------------------|
| 82MH0100 | 12V&24V | 5A-10A | 115dB (A)   | 6 Kg/cm <sup>2</sup> |





## Air Horns

# 84JH



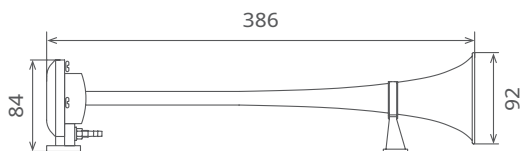
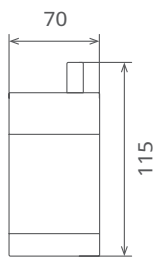
Compact air horn with one U shape trumpet, single sound. Single solenoid available with both 12V/24V at the same time. Only for vehicles equipped with an air tank on board. It covers less space than normal air horns. Trumpet is made of enduring plastic, available only in black colour.

| Type     | Voltage | Ampere | Sound Level | Air Source           |
|----------|---------|--------|-------------|----------------------|
| 84JH0100 | 12V&24V | 5A-10A | 115dB (A)   | 6 Kg/cm <sup>2</sup> |



## Air Horns

# 83KM



No need for an air tank on board. Kit includes heavy-duty compressor, relay, hose and mounting hardware. Single sound with a single trumpet made of enduring plastic with colour of chromium plated. Pipe length is 350mm. Available only in 12V.

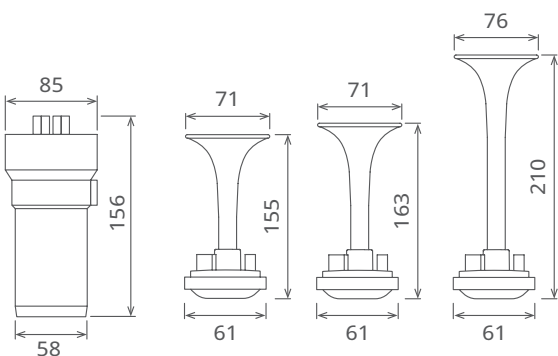
| Type     | Voltage | Ampere | Sound Level | Air Source           |
|----------|---------|--------|-------------|----------------------|
| 83KM1200 | 12V     | 26A    | 115dB (A)   | 1 Kg/cm <sup>2</sup> |





## Air Horns

# 80KH / 82KH (3 TRUMPETS)



No need for an air tank on board. Kit includes heavy-duty compressor, relay, hose and mounting hardware. Harmonic sound with three trumpets made of durable plastic with colour of red or chromium plated. Available with 12V or 24V

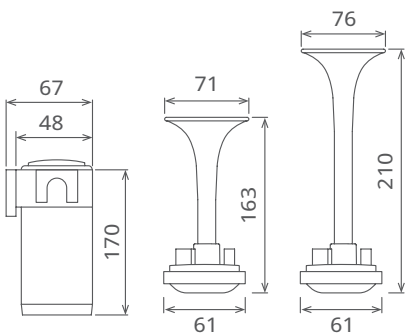
| Type        | Voltage | Ampere | Sound Level | Air Source           | Trumpets |
|-------------|---------|--------|-------------|----------------------|----------|
| 80-82KH1200 | 12V     | 21A    | 115dB (A)   | 12Kg/cm <sup>2</sup> | 3 pieces |
| 80-82KH2400 | 24V     | 14A    | 115dB (A)   | 12Kg/cm <sup>2</sup> | 3 pieces |



## Air Horns

# 80KH / 82KH

(2 TRUMPETS)



No need for an air tank on board. Kit includes heavy-duty compressor, relay, hose and mounting hardware. Single sound with two trumpets made of durable plastic with colour of red or chromium plated. Available with 12V or 24V.

| Type        | Voltage | Ampere | Sound Level | Air Source           | Trumpets |
|-------------|---------|--------|-------------|----------------------|----------|
| 80-82KH1202 | 12V     | 21A    | 115dB (A)   | 12Kg/cm <sup>2</sup> | 2 pieces |
| 80-82KH2402 | 24V     | 14A    | 115dB (A)   | 12Kg/cm <sup>2</sup> | 2 pieces |

## Spare Parts



11HV0001

- Mechanic Air Valve (Single Irremovable Hole)



11HV0001-01

- Mechanic Air Valve (Single Removable Hole)



11HV7112

- Bobbin With Valve (Single Removable Hole)



11HV7124

- Bobbin With Valve (Single Removable Hole)



12HV0001

- Mechanic Air Valve (Double Irremovable Holes)



12HV0101

- Mechanic Air Valve (Irremovable & Removable Holes)



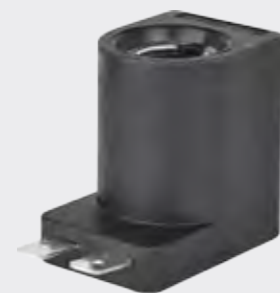
12HV0200

- Mechanic Air Valve (Double Removable Holes)



71HB1200

- Bobbin
- 12V



71HB2400

- Bobbin
- 24V



## Spare Parts



### 31EA0000

- Electronic Circuit Unit  
12V & 24V  
Electronic Circuit Unit For 80DH/82DH



### 31EB0000

- Electronic Circuit Unit  
12V & 24V  
Electronic Circuit Unit For 80EH/ 82EH



### 31EC0000

- Electronic Circuit Unit  
12V & 24V  
Electronic Circuit Unit For 81DH



### 31EE0000

- Electronic Circuit Unit  
12V & 24V  
Electronic Circuit Unit For 80EE/82EE



### 31EF0000

- Electronic Circuit Unit  
12V & 24V  
Electronic Circuit Unit For 80EC/82EC



### 31EG0000

- Electronic Circuit Unit  
12V & 24V  
Electronic Circuit Unit For  
80DC/82DC

Dimensions (mm)

| Type     | Voltage   | D     | H  | L  |
|----------|-----------|-------|----|----|
| 31EA0000 | 12V / 24V | 66,50 | 44 | 27 |
| 31EB0000 | 12V / 24V | 66,50 | 44 | 27 |
| 31EC0000 | 12V / 24V | 66,50 | 44 | 27 |

Dimensions (mm)

| Type     | Voltage   | D     | H  | L  |
|----------|-----------|-------|----|----|
| 31EE0000 | 12V / 24V | 66,50 | 44 | 27 |
| 31EF0000 | 12V / 24V | 66,50 | 44 | 27 |
| 31EG0000 | 12V / 24V | 66,50 | 44 | 27 |

## Relays



### 32SS / 32SD

- High performance relay
- Color alternatives
- 4 & 5 legs
- 12 V & 24 V

Dimensions (mm)

| Type      | Voltage  | Ampere | Pin | Color | A  | B  | C  | D | E     |
|-----------|----------|--------|-----|-------|----|----|----|---|-------|
| 32SS 1234 | 12V      | 30A    | 4   | Black | 27 | 28 | 23 | 7 | 12,50 |
| 32SS 2234 | 12V      | 30A    | 4   | Red   | 27 | 28 | 23 | 7 | 12,50 |
| 32SS 1235 | 12V      | 30A    | 5   | Black | 27 | 28 | 23 | 7 | 12,50 |
| 32SS 1424 | 24V      | 20A    | 4   | Black | 27 | 28 | 23 | 7 | 12,50 |
| 32SS 1425 | 24V      | 20A    | 5   | Black | 27 | 28 | 23 | 7 | 12,50 |
| 32SS 6234 | 12V      | 30A    | 4   | Black | 27 | 28 | 23 | 7 | 12,50 |
| 32SD 1235 | C.O 12.V | 30A    | 5   | Black | 27 | 28 | 23 | 7 | 12,50 |
| 32SD 1425 | C.O 12.V | 20A    | 5   | Black | 27 | 28 | 23 | 7 | 12,50 |

# Electromagnetic Horns

| REFERENCE | INNER PACKAGING | PIECE SET BULK | QUANTITY FOR MASTER CARTON | MASTER CARTON DIMENSIONS (CM) | MASTER CARTON WEIGHT (KGS) |
|-----------|-----------------|----------------|----------------------------|-------------------------------|----------------------------|
| 65BI1200  | BOX             | PCS            | 45                         | 35 x 42 x 39                  | 11,44                      |
|           | BLISTER         | PCS            | 35                         | 35 x 42 x 39                  | 8,95                       |
|           | SEPERATOR       | BULK           | 48                         | 40 x 50 x 30                  | 11,08                      |
| 65BK1200  | BOX             | PCS            | 45                         | 35 x 42 x 39                  | 11,57                      |
|           | BLISTER         | PCS            | 35                         | 35 x 42 x 39                  | 9,05                       |
|           | SEPERATOR       | BULK           | 48                         | 40 x 50 x 30                  | 11,23                      |
| 65BO1200  | BOX             | SET            | 32                         | 36 x 38 x 36                  | 16,26                      |
|           | BLISTER         | SET            | 16                         | 35 x 42 x 39                  | 8,29                       |
|           | SEPERATOR       | BULK / SET     | 24                         | 40 x 50 x 30                  | 11,15                      |
| 65BT1200  | BOX             | SET            | 32                         | 36 x 38 x 36                  | 17,09                      |
|           | BLISTER         | SET            | 16                         | 35 x 42 x 39                  | 8,70                       |
|           | SEPERATOR       | BULK / SET     | 24                         | 40 x 50 x 30                  | 11,78                      |
| 55BI1200  | BOX             | PCS            | 50                         | 35 x 42 x 39                  | 10,57                      |
|           | BLISTER         | PCS            | 42                         | 35 x 42 x 39                  | 9,31                       |
|           | SEPERATOR       | BULK           | 48                         | 40 x 50 x 30                  | 8,92                       |
| 55BK1200  | BOX             | PCS            | 50                         | 35 x 42 x 39                  | 10,47                      |
|           | BLISTER         | PCS            | 42                         | 35 x 42 x 39                  | 9,23                       |
|           | SEPERATOR       | BULK           | 48                         | 40 x 50 x 30                  | 8,83                       |
| 55BO1200  | BOX             | SET            | 32                         | 36 x 38 x 36                  | 13,22                      |
|           | BLISTER         | SET            | 21                         | 35 x 42 x 39                  | 9,27                       |
|           | SEPERATOR       | BULK / SET     | 24                         | 40 x 50 x 30                  | 8,87                       |
| 65CI1200  | BOX             | PCS            | 45                         | 35 x 42 x 39                  | 12,63                      |
|           | BLISTER         | PCS            | 35                         | 35 x 42 x 39                  | 8,81                       |
|           | SEPERATOR       | BULK           | 48                         | 40 x 50 x 30                  | 10,89                      |
| 65CK1200  | BOX             | PCS            | 45                         | 35 x 42 x 39                  | 12,76                      |
|           | BLISTER         | PCS            | 35                         | 35 x 42 x 39                  | 8,91                       |
|           | SEPERATOR       | BULK           | 48                         | 40 x 50 x 30                  | 11,03                      |
| 65CO1200  | BOX             | SET            | 32                         | 36 x 38 x 36                  | 16,00                      |
|           | BLISTER         | SET            | 16                         | 35 x 42 x 39                  | 8,16                       |
|           | SEPERATOR       | BULK / SET     | 24                         | 40 x 50 x 30                  | 10,96                      |
| 65CT1200  | BOX             | SET            | 32                         | 36 x 38 x 36                  | 16,83                      |
|           | BLISTER         | SET            | 16                         | 35 x 42 x 39                  | 8,58                       |
|           | SEPERATOR       | BULK / SET     | 24                         | 40 x 50 x 30                  | 11,59                      |
| 50FI1200  | BOX             | PCS            | 50                         | 35 x 42 x 39                  | 13,60                      |
|           | BLISTER         | PCS            | 42                         | 34 x 42 x 42                  | 10,35                      |
|           | SEPERATOR       | BULK           | 48                         | 40 x 50 x 30                  | 11,75                      |
| 50FK1200  | BOX             | PCS            | 50                         | 35 x 42 x 39                  | 13,90                      |
|           | BLISTER         | PCS            | 42                         | 34 x 42 x 42                  | 10,60                      |
|           | SEPERATOR       | BULK           | 48                         | 40 x 50 x 30                  | 12,04                      |
| 50FO1200  | BOX             | SET            | 24                         | 35 x 42 x 39                  | 13,43                      |
|           | BLISTER         | SET            | 21                         | 34 x 42 x 42                  | 10,48                      |
|           | SEPERATOR       | BULK / SET     | 24                         | 40 x 50 x 30                  | 11,90                      |
| 50FI2400  | BOX             | PCS            | 50                         | 35 x 42 x 39                  | 14,45                      |
|           | BLISTER         | PCS            | 42                         | 34 x 42 x 42                  | 11,07                      |
|           | SEPERATOR       | BULK           | 48                         | 40 x 50 x 30                  | 12,57                      |
| 50FK2400  | BOX             | PCS            | 50                         | 35 x 42 x 39                  | 14,75                      |
|           | BLISTER         | PCS            | 42                         | 34 x 42 x 42                  | 11,32                      |
|           | SEPERATOR       | BULK           | 48                         | 40 x 50 x 30                  | 12,86                      |
| 50FO2400  | BOX             | SET            | 24                         | 35 x 42 x 39                  | 14,24                      |
|           | BLISTER         | SET            | 21                         | 34 x 42 x 42                  | 11,19                      |
|           | SEPERATOR       | BULK / SET     | 24                         | 40 x 50 x 30                  | 12,71                      |
| 60BI1200  | BOX             | PCS            | 45                         | 35 x 42 x 39                  | 12,18                      |
|           | BLISTER         | PCS            | 24                         | 35 x 42 x 39                  | 6,75                       |
|           | SEPERATOR       | BULK           | 48                         | 40 x 50 x 30                  | 11,42                      |
| 60BK1200  | BOX             | PCS            | 45                         | 35 x 42 x 39                  | 12,27                      |
|           | BLISTER         | PCS            | 24                         | 35 x 42 x 39                  | 6,80                       |
|           | SEPERATOR       | BULK           | 48                         | 40 x 50 x 30                  | 11,51                      |
| 60BO1200  | BOX             | SET            | 24                         | 35 x 42 x 39                  | 13,02                      |
|           | BLISTER         | SET            | 16                         | 35 x 42 x 39                  | 8,82                       |
|           | SEPERATOR       | BULK / SET     | 24                         | 40 x 50 x 30                  | 11,47                      |

| REFERENCE | INNER PACKAGING  | PIECE SET BULK | QUANTITY FOR MASTER CARTON | MASTER CARTON DIMENSIONS (CM) | MASTER CARTON WEIGHT (KGS) |
|-----------|------------------|----------------|----------------------------|-------------------------------|----------------------------|
| 60BT1200  | BOX              | SET            | 24                         | 35 x 42 x 39                  | 13,64                      |
|           | BLISTER          | SET            | 16                         | 35 x 42 x 39                  | 9,23                       |
|           | SEPERATOR        | BULK / SET     | 24                         | 40 x 50 x 30                  | 12,09                      |
| 60BI2400  | BOX              | PCS            | 45                         | 35 x 42 x 39                  | 13,35                      |
|           | BLISTER          | PCS            | 24                         | 35 x 42 x 39                  | 7,38                       |
|           | SEPERATOR        | BULK           | 48                         | 40 x 50 x 30                  | 12,67                      |
| 60BK2400  | BOX              | PCS            | 45                         | 35 x 42 x 39                  | 13,53                      |
|           | BLISTER          | PCS            | 24                         | 35 x 42 x 39                  | 7,47                       |
|           | SEPERATOR        | BULK           | 48                         | 40 x 50 x 30                  | 12,86                      |
| 60BO2400  | BOX              | SET            | 24                         | 35 x 42 x 39                  | 14,32                      |
|           | BLISTER          | SET            | 16                         | 35 x 42 x 39                  | 9,68                       |
|           | SEPERATOR        | BULK / SET     | 24                         | 40 x 50 x 30                  | 12,76                      |
| 60BT2400  | BOX              | SET            | 24                         | 35 x 42 x 39                  | 14,94                      |
|           | BLISTER          | SET            | 16                         | 35 x 42 x 39                  | 10,10                      |
|           | SEPERATOR        | BULK / SET     | 24                         | 40 x 50 x 30                  | 13,39                      |
| 45CI1200  | BOX              | PCS            | 45                         | 34 x 42 x 42                  | 14,36                      |
|           | BLISTER          | PCS            | 30                         | 35 x 42 x 39                  | 8,65                       |
|           | SEPERATOR        | BULK           | 48                         | 40 x 50 x 30                  | 13,58                      |
| 45CK1200  | BOX              | PCS            | 45                         | 34 x 42 x 42                  | 14,49                      |
|           | BLISTER          | PCS            | 30                         | 35 x 42 x 39                  | 8,74                       |
|           | SEPERATOR        | BULK           | 48                         | 40 x 50 x 30                  | 13,72                      |
| 45CO1200  | BOX              | SET            | 18                         | 43 x 36 x 31                  | 10,31                      |
|           | BLISTER          | SET            | 15                         | 35 x 42 x 39                  | 8,69                       |
|           | SEPERATOR        | BULK / SET     | 24                         | 40 x 50 x 30                  | 13,65                      |
|           | BOX with WINDOWS | SET            | 15                         | 33 x 40 x 43                  | 10,47                      |
| 45CI2400  | BOX              | PCS            | 45                         | 34 x 42 x 42                  | 14,76                      |
|           | BLISTER          | PCS            | 30                         | 35 x 42 x 39                  | 8,92                       |
|           | SEPERATOR        | BULK           | 48                         | 40 x 50 x 30                  | 14,01                      |
| 45CK2400  | BOX              | PCS            | 45                         | 34 x 42 x 42                  | 14,90                      |
|           | BLISTER          | PCS            | 30                         | 35 x 42 x 39                  | 9,01                       |
|           | SEPERATOR        | BULK           | 48                         | 40 x 50 x 30                  | 14,15                      |
| 45CO2400  | BOX              | SET            | 18                         | 43 x 36 x 31                  | 11,28                      |
|           | BLISTER          | SET            | 15                         | 35 x 42 x 39                  | 8,96                       |
|           | SEPERATOR        | BULK / SET     | 24                         | 40 x 50 x 30                  | 14,08                      |
|           | BOX with WINDOWS | SET            | 15                         | 33 x 40 x 43                  | 10,74                      |
| 60EI1200  | BOX              | PCS            | 45                         | 35 x 42 x 39                  | 12,63                      |
|           | BLISTER          | PCS            | 24                         | 35 x 42 x 39                  | 6,99                       |
|           | SEPERATOR        | BULK           | 48                         | 40 x 50 x 30                  | 11,90                      |
| 60EK1200  | BOX              | PCS            | 45                         | 35 x 42 x 39                  | 12,76                      |
|           | BLISTER          | PCS            | 24                         | 35 x 42 x 39                  | 7,07                       |
|           | SEPERATOR        | BULK           | 48                         | 40 x 50 x 30                  | 12,04                      |
| 60EO1200  | BOX              | SET            | 24                         | 35 x 42 x 39                  | 13,52                      |
|           | BLISTER          | SET            | 16                         | 35 x 42 x 39                  | 9,15                       |
|           | SEPERATOR        | BULK / SET     | 24                         | 40 x 50 x 30                  | 11,97                      |
| 60ET1200  | BOX              | SET            | 24                         | 35 x 42 x 39                  | 14,15                      |
|           | BLISTER          | SET            | 16                         | 35 x 42 x 39                  | 9,57                       |
|           | SEPERATOR        | BULK / SET     | 24                         | 40 x 50 x 30                  | 12,59                      |
| 60EI2400  | BOX              | PCS            | 45                         | 35 x 42 x 39                  | 13,71                      |
|           | BLISTER          | PCS            | 24                         | 35 x 42 x 39                  | 7,57                       |
|           | SEPERATOR        | BULK           | 48                         | 40 x 50 x 30                  | 13,05                      |
| 60EK2400  | BOX              | PCS            | 45                         | 35 x 42 x 39                  | 13,84                      |
|           | BLISTER          | PCS            | 24                         | 35 x 42 x 39                  | 7,64                       |
|           | SEPERATOR        | BULK           | 48                         | 40 x 50 x 30                  | 13,19                      |
| 60EO2400  | BOX              | SET            | 24                         | 35 x 42 x 39                  | 14,10                      |
|           | BLISTER          | SET            | 16                         | 35 x 42 x 39                  | 9,54                       |
|           | SEPERATOR        | BULK / SET     | 24                         | 40 x 50 x 30                  | 12,55                      |
| 60ET2400  | BOX              | SET            | 24                         | 35 x 42 x 39                  | 14,72                      |
|           | BLISTER          | SET            | 16                         | 35 x 42 x 39                  | 9,95                       |
|           | SEPERATOR        | BULK / SET     | 24                         | 40 x 50 x 30                  | 13,17                      |

## Electronic Horns

| REFERENCE | INNER PACKAGING | PIECE SET BULK | QUANTITY FOR MASTER CARTON | MASTER CARTON DIMENSIONS (CM) | MASTER CARTON WEIGHT (KGS) |
|-----------|-----------------|----------------|----------------------------|-------------------------------|----------------------------|
| 62EH1200  | BOX             | PCS            | 45                         | 35 x 42 x 39                  | 13,26                      |
|           | BLISTER         | PCS            | 24                         | 35 x 42 x 39                  | 7,33                       |
|           | SEPERATOR       | BULK           | 48                         | 40 x 50 x 30                  | 12,57                      |
| 62EK1200  | BOX             | PCS            | 45                         | 35 x 42 x 39                  | 13,35                      |
|           | BLISTER         | PCS            | 24                         | 35 x 42 x 39                  | 7,38                       |
|           | SEPERATOR       | BULK           | 48                         | 40 x 50 x 30                  | 12,67                      |
| 62EO1200  | BOX             | SET            | 24                         | 35 x 42 x 39                  | 14,17                      |
|           | BLISTER         | SET            | 16                         | 35 x 42 x 39                  | 9,58                       |
|           | SEPERATOR       | BULK / SET     | 24                         | 40 x 50 x 30                  | 12,62                      |
| 62ET1200  | BOX             | SET            | 24                         | 35 x 42 x 39                  | 14,80                      |
|           | BLISTER         | SET            | 16                         | 35 x 42 x 39                  | 10,00                      |
|           | SEPERATOR       | BULK / SET     | 24                         | 40 x 50 x 30                  | 13,24                      |
| 66EH1200  | BOX             | PCS            | 45                         | 35 x 42 x 39                  | 11,38                      |
|           | BLISTER         | PCS            | 35                         | 35 x 42 x 39                  | 9,00                       |
|           | SEPERATOR       | BULK           | 48                         | 40 x 50 x 30                  | 12,23                      |
| 66EK1200  | BOX             | PCS            | 45                         | 35 x 42 x 39                  | 11,47                      |
|           | BLISTER         | PCS            | 35                         | 35 x 42 x 39                  | 9,07                       |
|           | SEPERATOR       | BULK           | 48                         | 40 x 50 x 30                  | 12,33                      |
| 66EO1200  | BOX             | SET            | 32                         | 35 x 42 x 39                  | 15,96                      |
|           | BLISTER         | SET            | 16                         | 35 x 42 x 39                  | 8,31                       |
|           | SEPERATOR       | BULK / SET     | 24                         | 40 x 50 x 30                  | 12,28                      |
| 66ET1200  | BOX             | SET            | 32                         | 35 x 42 x 39                  | 16,79                      |
|           | BLISTER         | SET            | 16                         | 35 x 42 x 39                  | 8,73                       |
|           | SEPERATOR       | BULK / SET     | 24                         | 40 x 50 x 30                  | 12,91                      |
| 67EH1200  | BOX             | PCS            | 45                         | 35 x 42 x 39                  | 11,38                      |
|           | BLISTER         | PCS            | 35                         | 35 x 42 x 39                  | 9,00                       |
|           | SEPERATOR       | BULK           | 48                         | 40 x 50 x 30                  | 12,23                      |
| 67EK1200  | BOX             | PCS            | 45                         | 35 x 42 x 39                  | 11,47                      |
|           | BLISTER         | PCS            | 35                         | 35 x 42 x 39                  | 9,07                       |
|           | SEPERATOR       | BULK           | 48                         | 40 x 50 x 30                  | 12,33                      |
| 67EO1200  | BOX             | SET            | 32                         | 35 x 42 x 39                  | 15,96                      |
|           | BLISTER         | SET            | 16                         | 35 x 42 x 39                  | 8,31                       |
|           | SEPERATOR       | BULK / SET     | 24                         | 40 x 50 x 30                  | 12,28                      |
| 67ET1200  | BOX             | SET            | 32                         | 35 x 42 x 39                  | 16,79                      |
|           | BLISTER         | SET            | 16                         | 35 x 42 x 39                  | 8,73                       |
|           | SEPERATOR       | BULK / SET     | 24                         | 40 x 50 x 30                  | 12,91                      |

## Air Horns

| REFERENCE | INNER PACKAGING | PIECE SET BULK | QUANTITY FOR MASTER CARTON | MASTER CARTON DIMENSIONS (CM) | MASTER CARTON WEIGHT (KGS) |
|-----------|-----------------|----------------|----------------------------|-------------------------------|----------------------------|
| 80AH      | BOX             | PCS            | 10                         | 57 x 40 x 41                  | 10,73                      |
| 82AH      | BOX             | PCS            | 10                         | 57 x 40 x 41                  | 12,00                      |
| 80DH      | BOX             | PCS            | 6                          | 57 x 40 x 41                  | 9,80                       |
| 82DH      | BOX             | PCS            | 6                          | 57 x 40 x 41                  | 10,55                      |
| 80DC      | BOX             | PCS            | 6                          | 57 x 40 x 41                  | 9,80                       |
| 82DC      | BOX             | PCS            | 6                          | 57 x 40 x 41                  | 10,55                      |
| 80BH      | BOX             | PCS            | 6                          | 57 x 40 x 41                  | 8,75                       |
| 82BH      | BOX             | PCS            | 6                          | 57 x 40 x 41                  | 9,56                       |
| 80EH      | BOX             | PCS            | 6                          | 57 x 40 x 41                  | 14,23                      |
| 82EH      | BOX             | PCS            | 6                          | 57 x 40 x 41                  | 15,03                      |
| 80EC      | BOX             | PCS            | 6                          | 57 x 40 x 41                  | 14,23                      |
| 82EC      | BOX             | PCS            | 6                          | 57 x 40 x 41                  | 15,75                      |
| 80EE      | BOX             | PCS            | 6                          | 57 x 40 x 41                  | 14,23                      |
| 82EE      | BOX             | PCS            | 6                          | 57 x 40 x 41                  | 15,75                      |
| 80CH      | BOX             | PCS            | 6                          | 57 x 40 x 41                  | 10,54                      |
| 81DH      | BOX             | PCS            | 3                          | 57 x 40 x 41                  | 8,55                       |
| 82MH      | BOX             | PCS            | 6                          | 66 x 43 x 51                  | 14,19                      |
| 84JH      | BOX             | PCS            | 10                         | 47 x 68 x 18                  | 8,71                       |
| 83KM      | BLISTER         | PCS            | 10                         | 33 x 47 x 47                  | 14,58                      |
| 80KH1200  | BLISTER         | PCS            | 10                         | 54 x 44 x 37                  | 13,65                      |
| 82KH1200  | BLISTER         | PCS            | 10                         | 54 x 44 x 37                  | 13,65                      |
| 80KH1202  | BLISTER         | PCS            | 10                         | 46 x 29 x 43                  | 8,61                       |
| 82KH1202  | BLISTER         | PCS            | 10                         | 46 x 29 x 43                  | 8,61                       |







**SEGER SES ve ELEKTRİKLİ GEREÇLER SAN. A.Ş.**

Demirtaş Organize Sanayi Bölgesi  
M. Karaer Cd. No:22 P.K.9 16369 Bursa Türkiye

Phone : +90 (224) **261 03 11**

Fax : +90 (224) **261 03 17**

info@seger.com



**DONGGUAN SEGER AUTO PARTS CO. LTD.**

Dongxing Industrial Zone, Wangniudun Town,  
Dongguan City, Guangdong Province,  
China, 523200



**SEGER GmbH**

Kolumbusstraße 31, 71063 Sindelfingen,  
DEUTSCHLAND